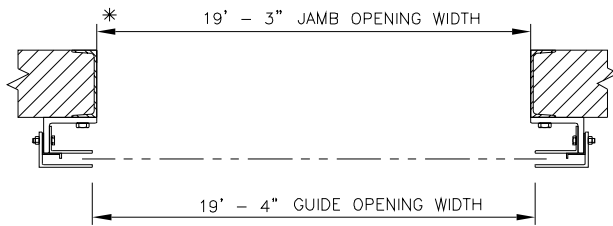


NOTES:

01. GENERAL SPECIFICATIONS SEE SHEET 1.
02. APPROX. WT. OF DOOR IS 2,965 LBS.
03. THIS DRAWING COVERS GENERAL CONDITIONS, DIMS, AND SPECIFICATIONS ONLY. DO NOT USE FOR INSTALLATION PURPOSES, INSTALLATION INSTRUCTIONS AND DIMENSIONS ARE INCLUDED WITH SHIPMENT.
04. DESIGNED PER DADE COUNTY NOA #04-0402.01, TYPE "C" (±52 PSF) WINDLOAD.
05. BRACKETS TO BE COLORCOTE GRAY.

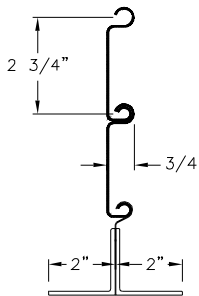
DIMENSIONS AND CLEARANCES AS NOTED BY ASTERISK (*) MUST BE FIELD CHECKED.

VERIFIED BY: _____ ON: _____



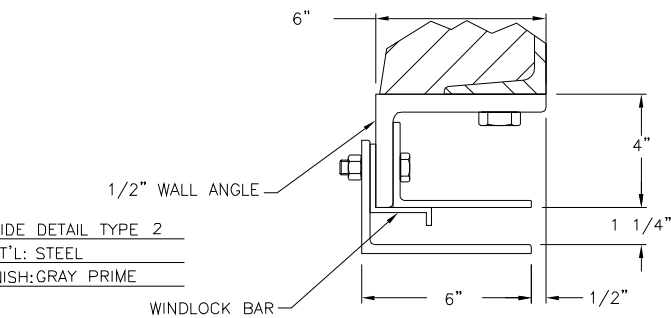
BOTTOM BAR LOCK			
TYPE	OPERATION		
	IN	OUT	BOTH
SLIDE BOLT	<input checked="" type="checkbox"/>	<input type="checkbox"/>	<input type="checkbox"/>

* STEEL CHANNEL CONSTRUCTION



SLAT: #4-18GA
MAT'L: GALV STEEL
FINISH: GRAY PRIME
WINDLOCKS: YES

BOTTOM BAR DETAIL
MAT'L: STEEL
FINISH: GRAY PRIME



MAKE	HAND	ARCH. MARK	DOOR MARK
2	AS SHOWN	1A, 2A	R1, R2
	OPPOSITE		

3			
2			
1			
	RM	09/13/06	ORIGINAL DRAWING
NO.	BY	DATE	REVISION



JOB: HOME DEPOT
CONTRACTOR:
ARCHITECT:
DISTRIBUTOR: ATLANTA DOOR CORP

FLORIDA SERVICE DOOR || CHAIN OPER || FACEMTD