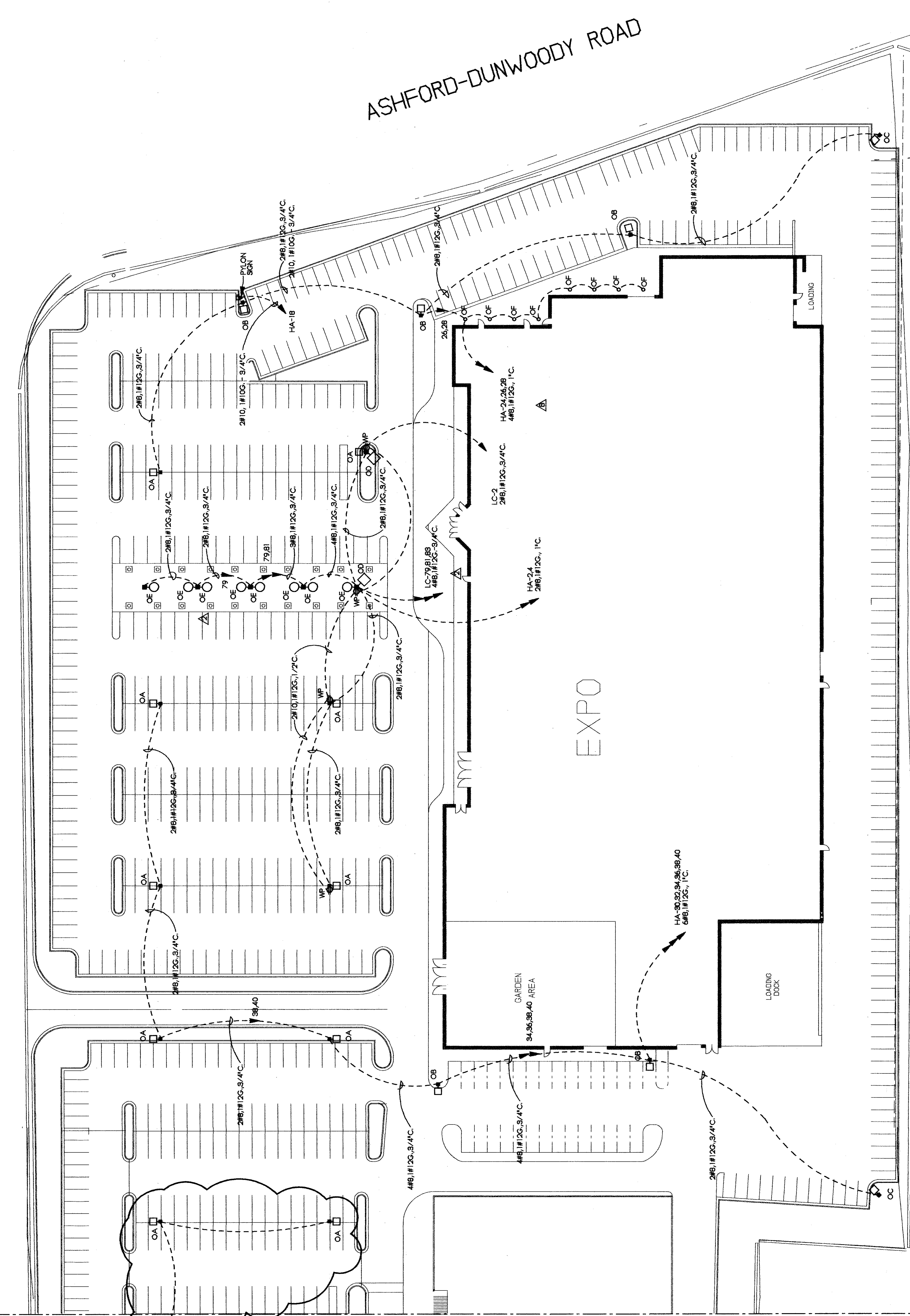
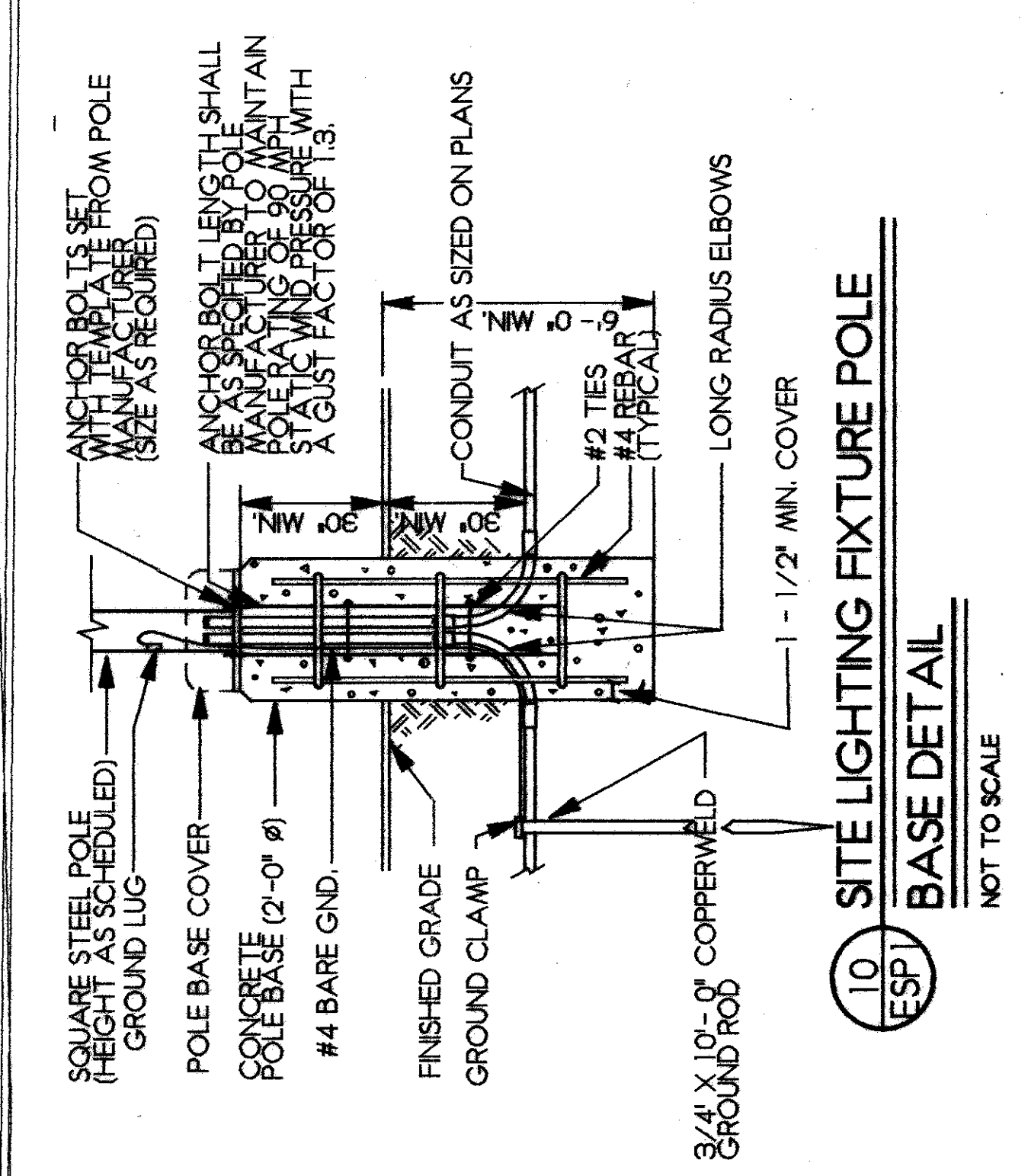


ASHFORD-DUNWOODY ROAD



SEE SHEET ESP2 FOR CONTINUATION



10 SITE PLAN - ELECTRICAL
ESP1

10 SITE LIGHTING FIXTURE POLE
BASE DETAIL
NOT TO SCALE