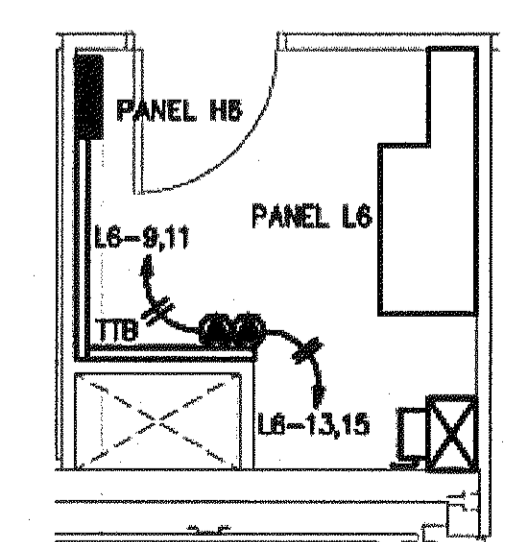


1 **SIXTH FLOOR ELECTRICAL**
E1.6 1/8" = 1'-0"



2 **SIXTH FLOOR ELECTRICAL ROOM**
E1.6 1/4" = 1'-0"

JOB NUMBER - 080501

DRAWN BY -
CHECKED BY -
DATE 05.01.2008
COPYRIGHT © 2008 G SIX DESIGN LLC
REVISION & SUBMISSION RECORD
5.15.08 PROGRESS SET



MCVEIGH & MANGUM
ENGINEERING
CONSULTANTS
INC. CONSULTANTS IN ELECTRICAL, MECHANICAL, PLUMBING, P.E. 10481
CONSULTANT

POINT BERKELEY PHASE III - BUILDING A
NORTH BERKELEY LAKE RD
DULUTH, GA 30096
THE NORTH POINT GROUP INC

SIXTH FLOOR ELECTRICAL

E1.6