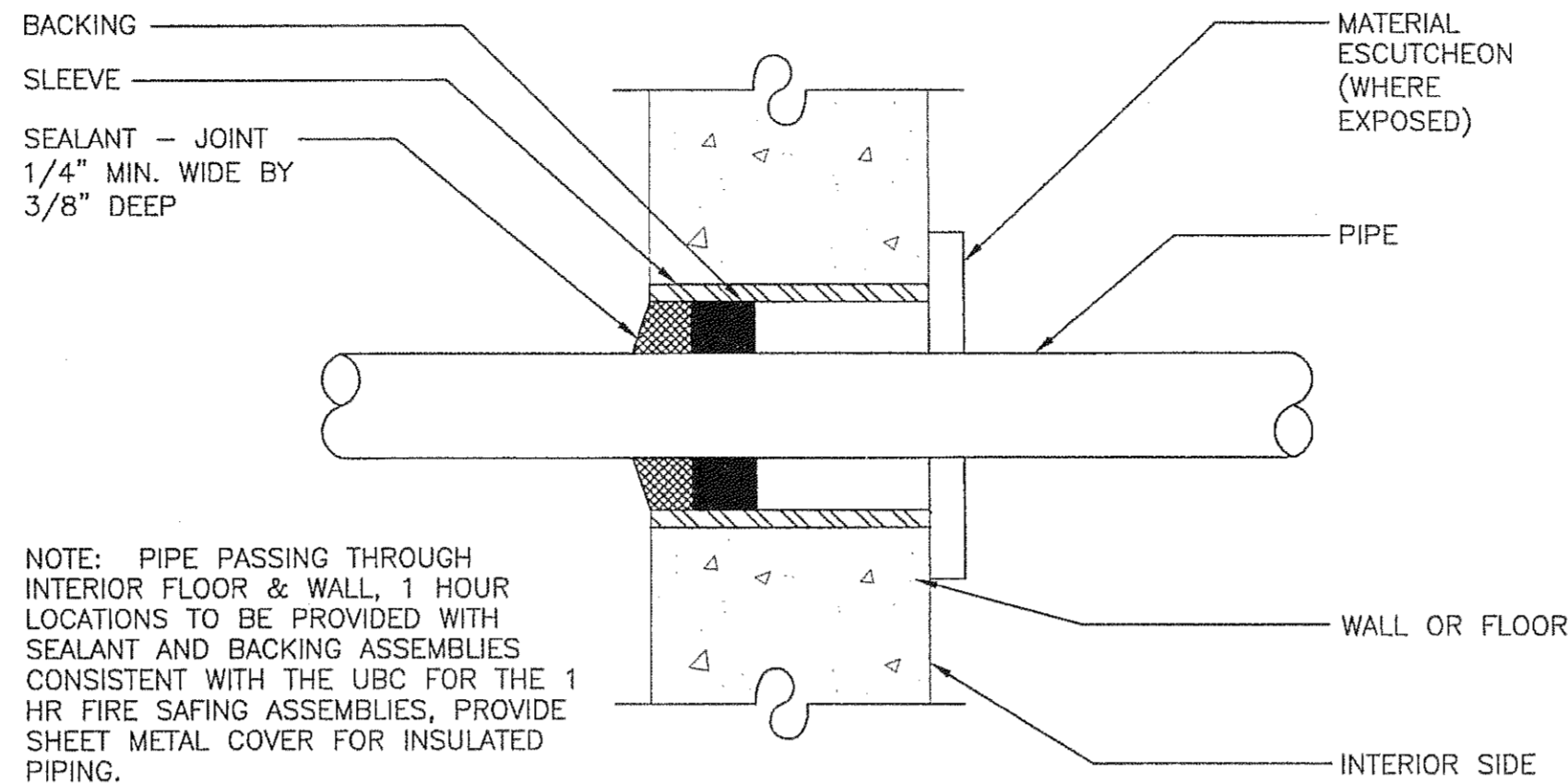
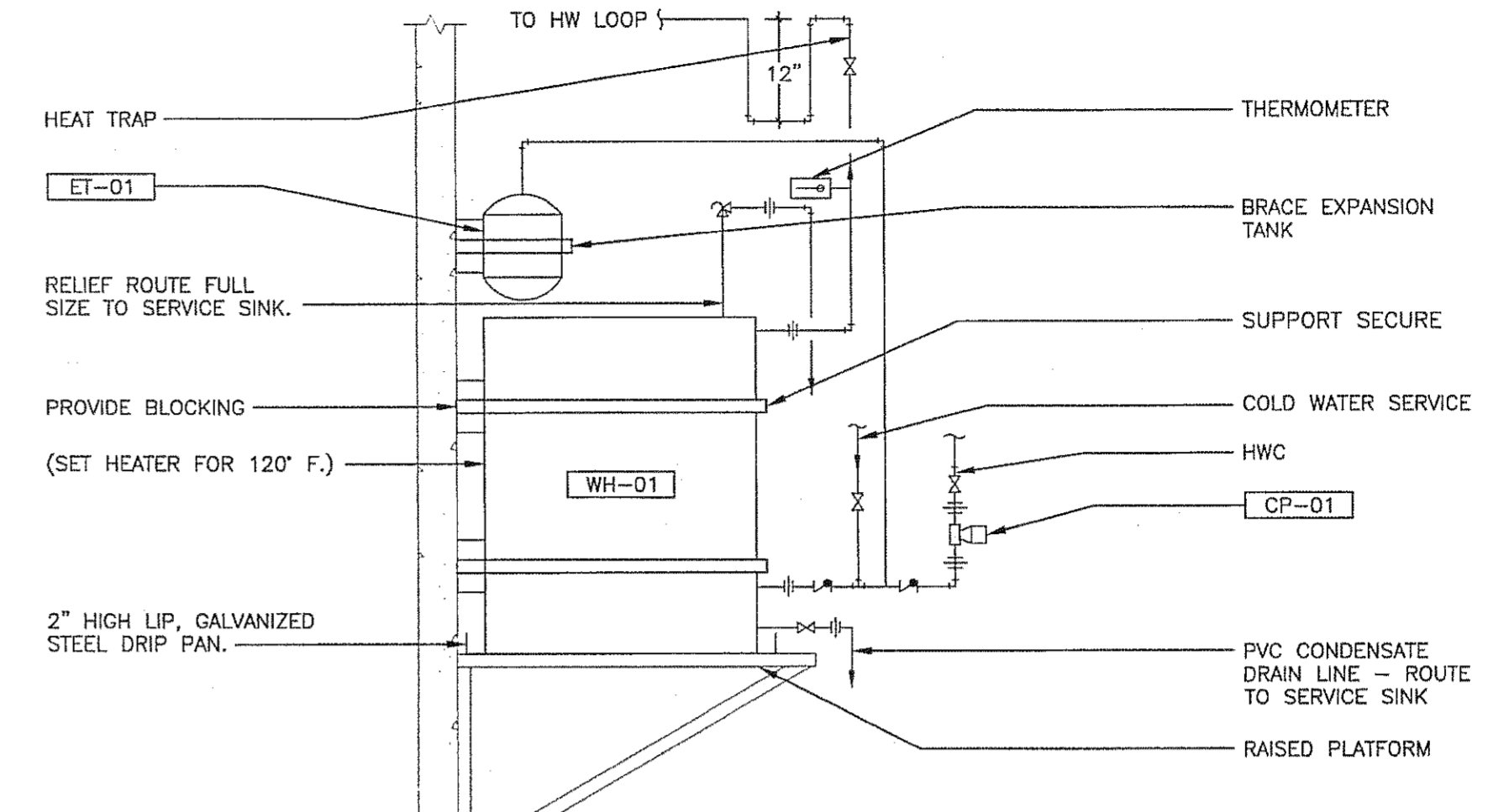


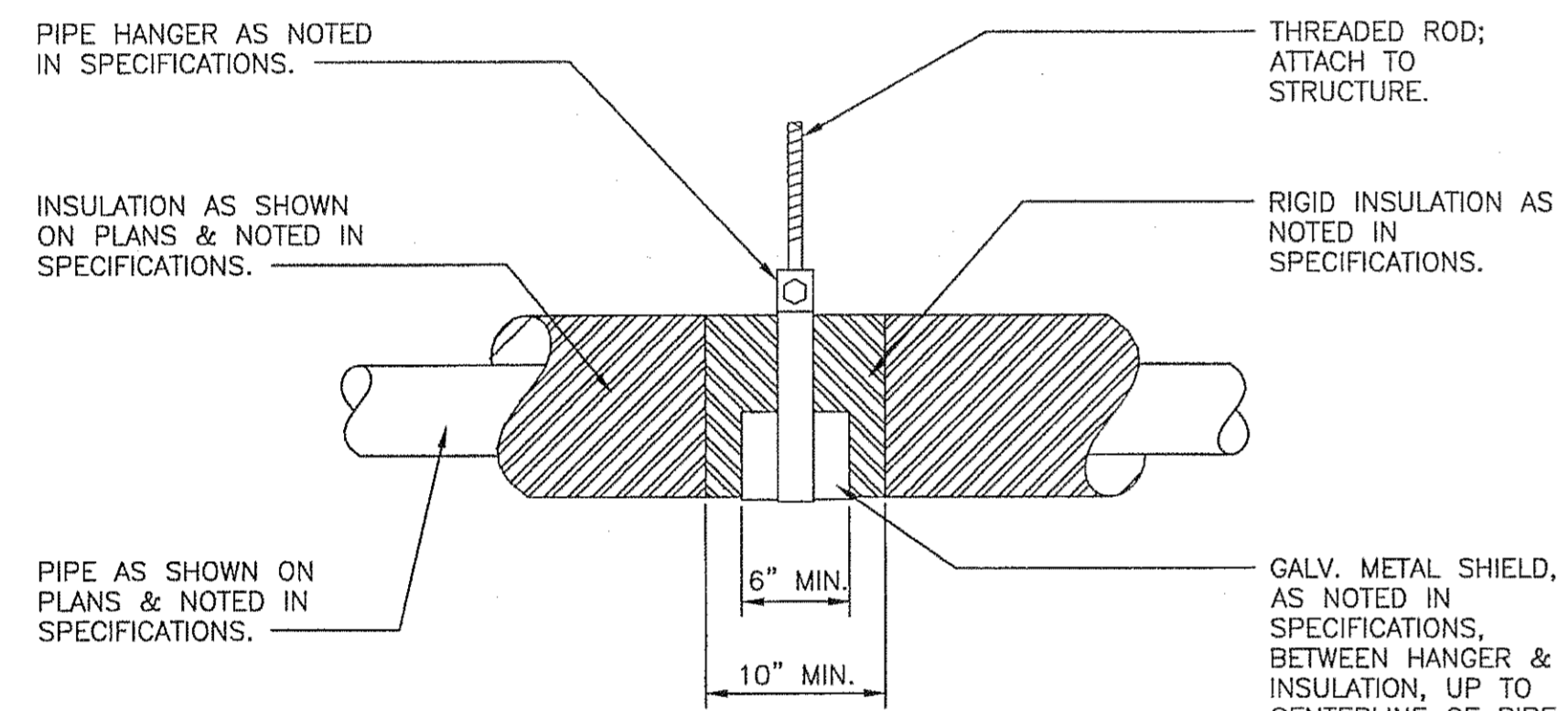
**1 TYPICAL COMBUSTION AIR FLUE DETAIL**  
M-601 SCALE: NONE



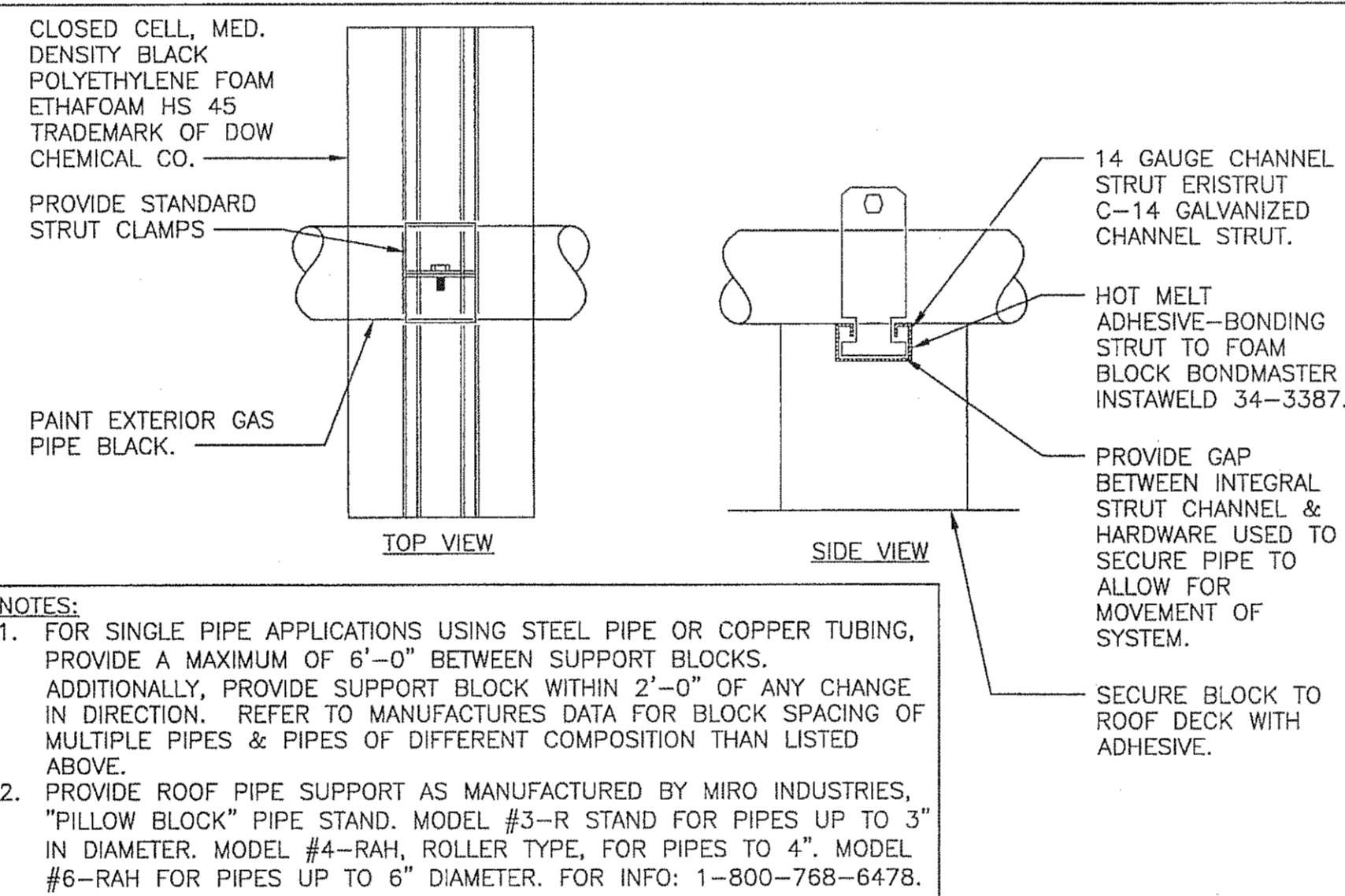
**2 PIPE SLEEVE THRU WALL - ABOVE GRADE DETAIL**  
M-601 NO SCALE



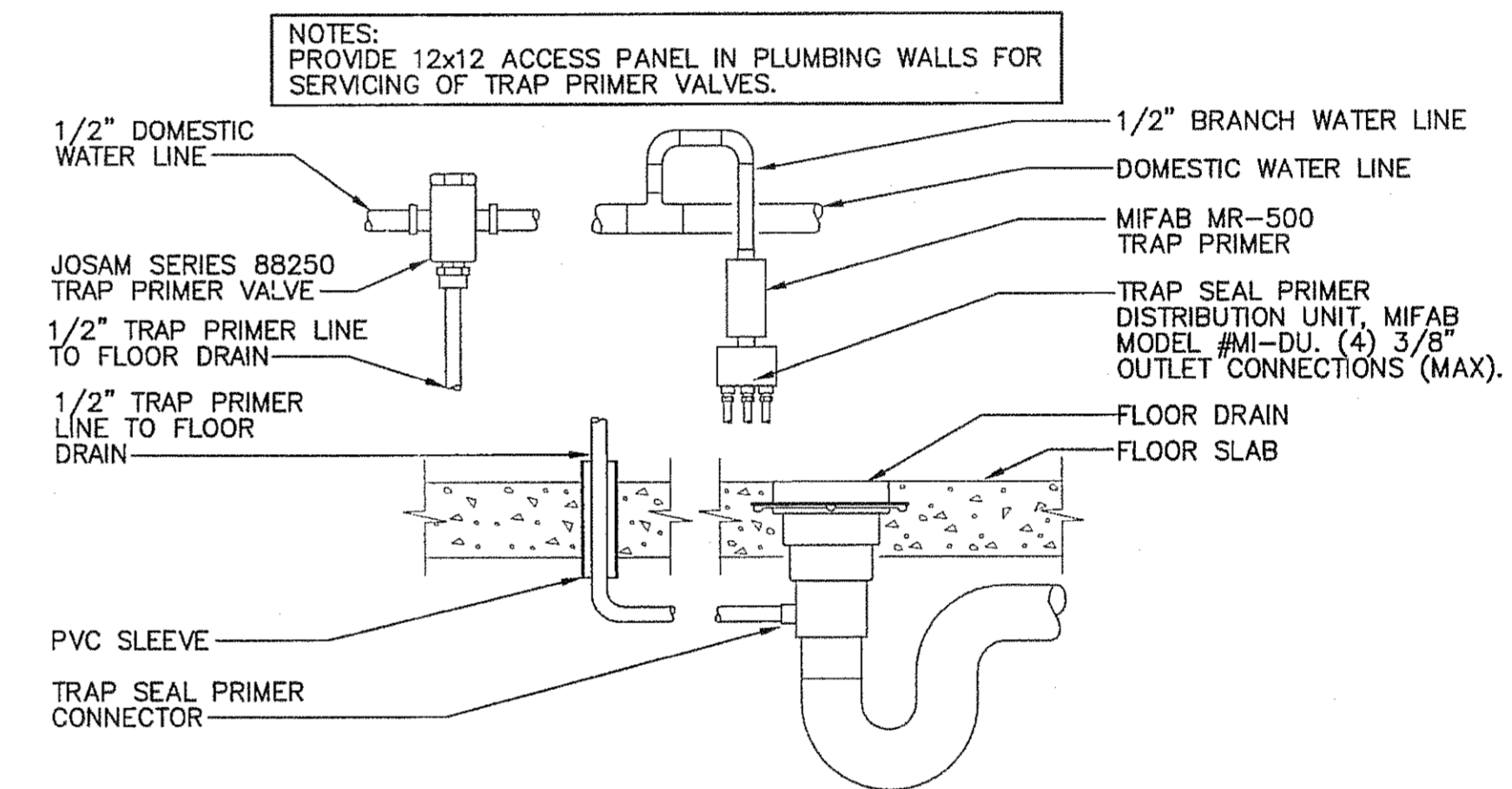
**3 ELECTRIC WATER HEATER DETAIL**  
M-601 NO SCALE



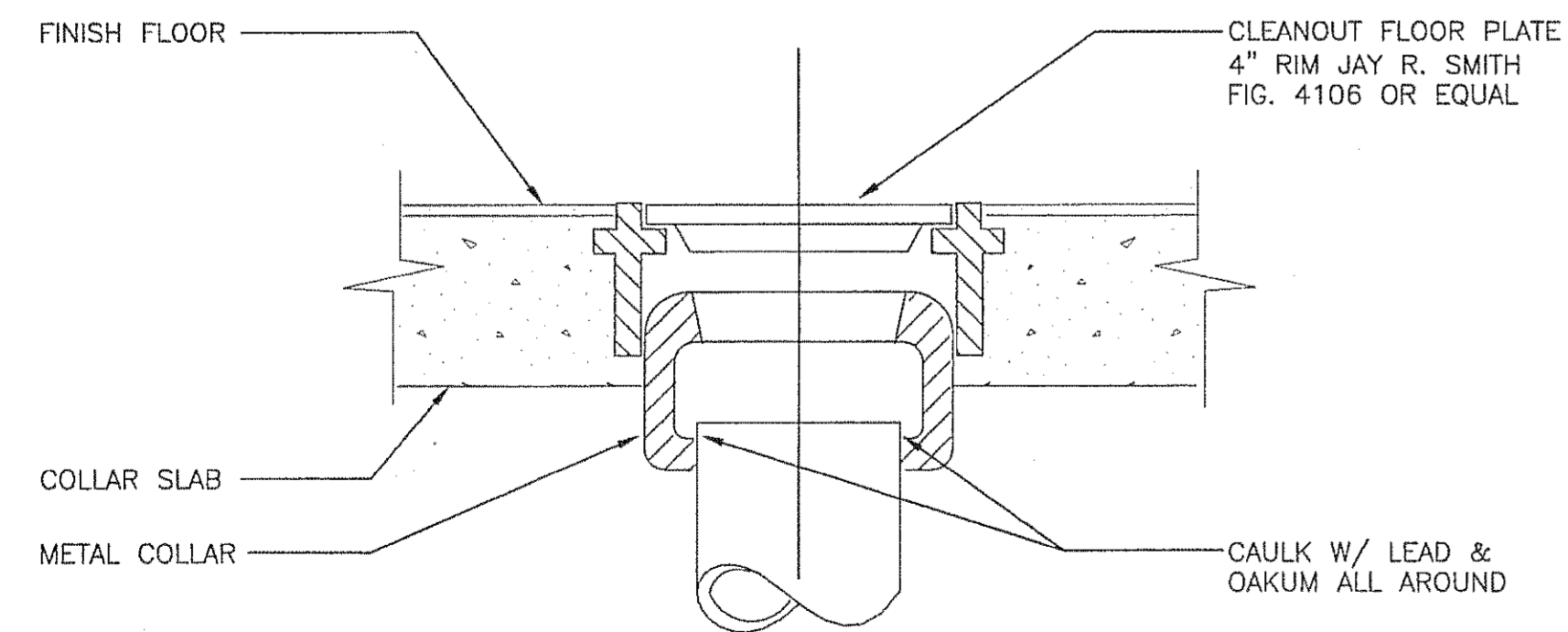
**4 INSULATED PIPE HANGER DETAIL**  
M-601 NO SCALE



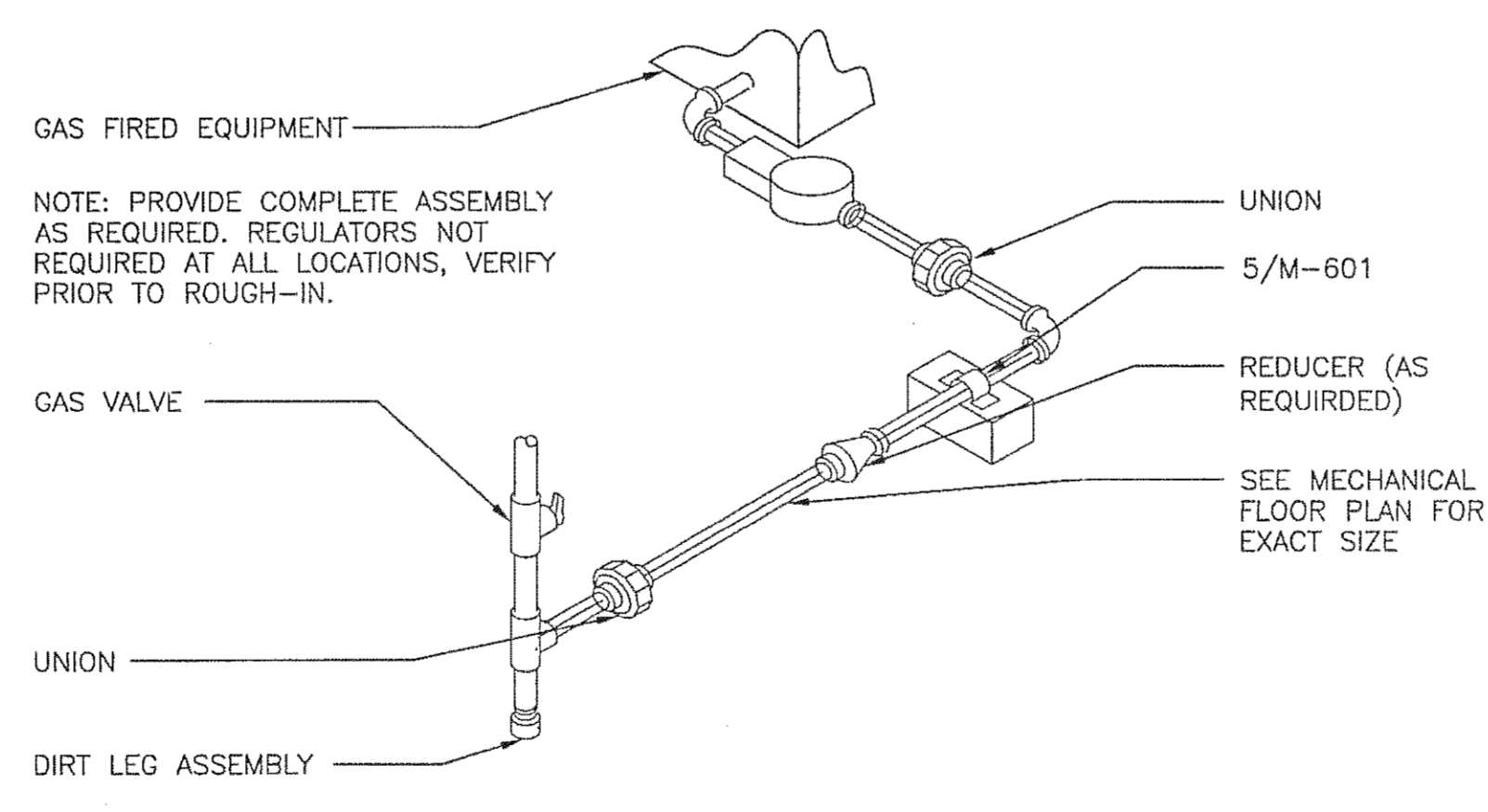
**5 ROOF PIPE SUPPORT DETAIL**  
M-601 NO SCALE



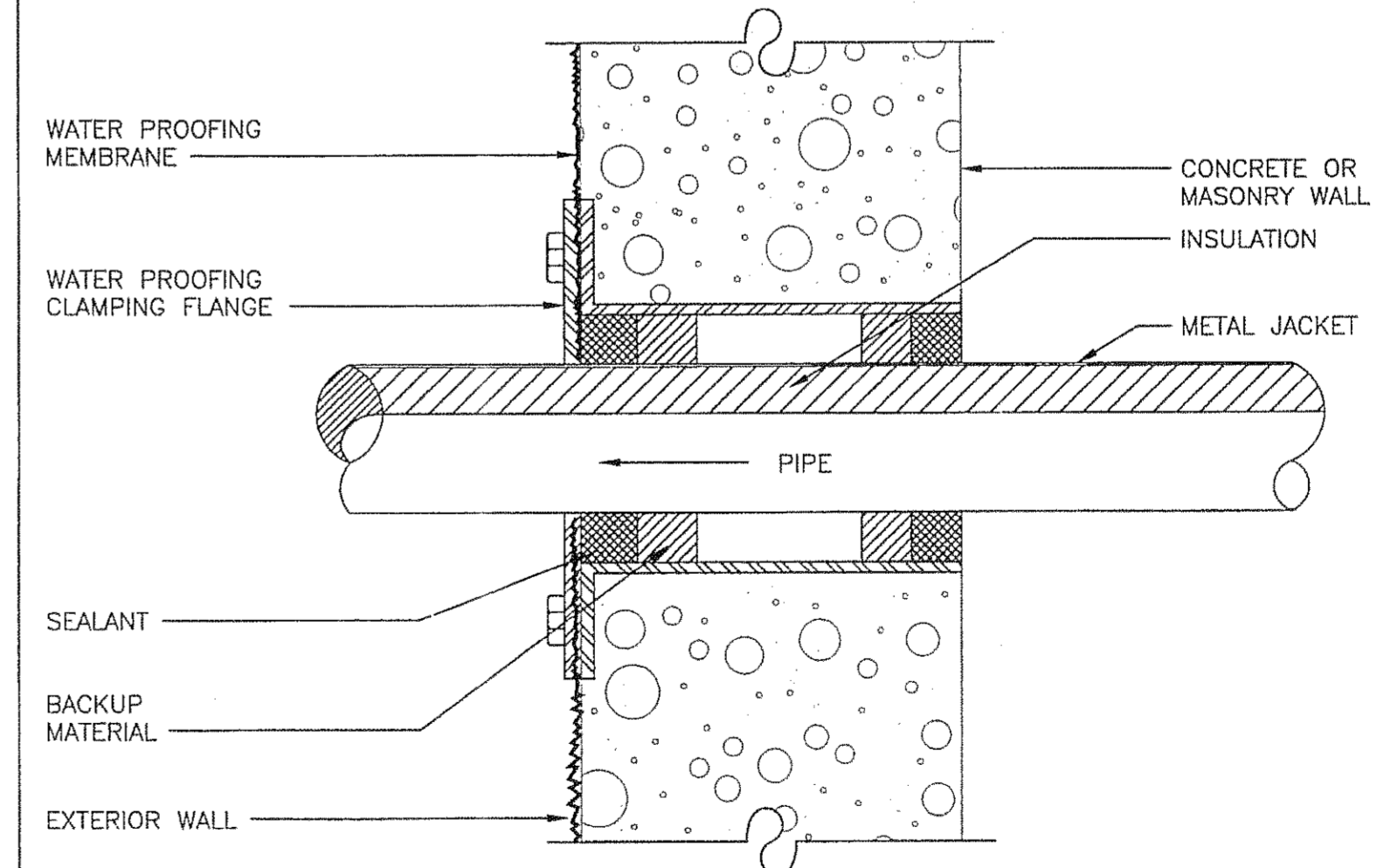
**6 TRAP PRIMER DETAIL**  
M-601 NO SCALE



**7 INTERIOR CLEANOUT DETAIL**  
M-601 NO SCALE



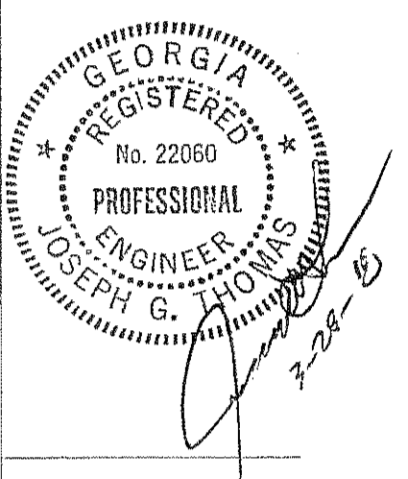
**8 TYPICAL GAS CONNECTION DETAIL**  
M-601 NO SCALE



**9 PIPE SLEEVE THROUGH EXTERIOR WALL OR FOUNDATION WALL DETAIL**  
M-601 NO SCALE

**OfficeMax**  
OWNER:  
**OFFICEMAX**  
263 SHUMAN BLVD.  
NAPERVILLE, IL 60563

**WCV**  
**Engineers, Inc.**  
760 Canal Drive  
Naperville, IL 60563  
Tel. 630/696-8800  
Fax. 630/696-8818  
www.WCVengineers.com



**Larson & Darby Group**  
Architects Engineers Planners  
1000 North State Street, Suite 1000  
Canton, GA 30110  
Tel. 770/485-1100  
Fax. 770/485-1101  
www.larsonanddarby.com

**OfficeMax**  
STORE #1324  
CANTON MARKETPLACE  
CANTON, GA.  
PROJECT # 17141

| ISSUED / REVISED | DATE   |
|------------------|--------|
| BID/PERMIT ISSUE | 4-1-08 |

TYPE OF DRAWING SET  
BID/PERMIT ISSUE

**MECHANICAL  
DETAILS**

**M-601**