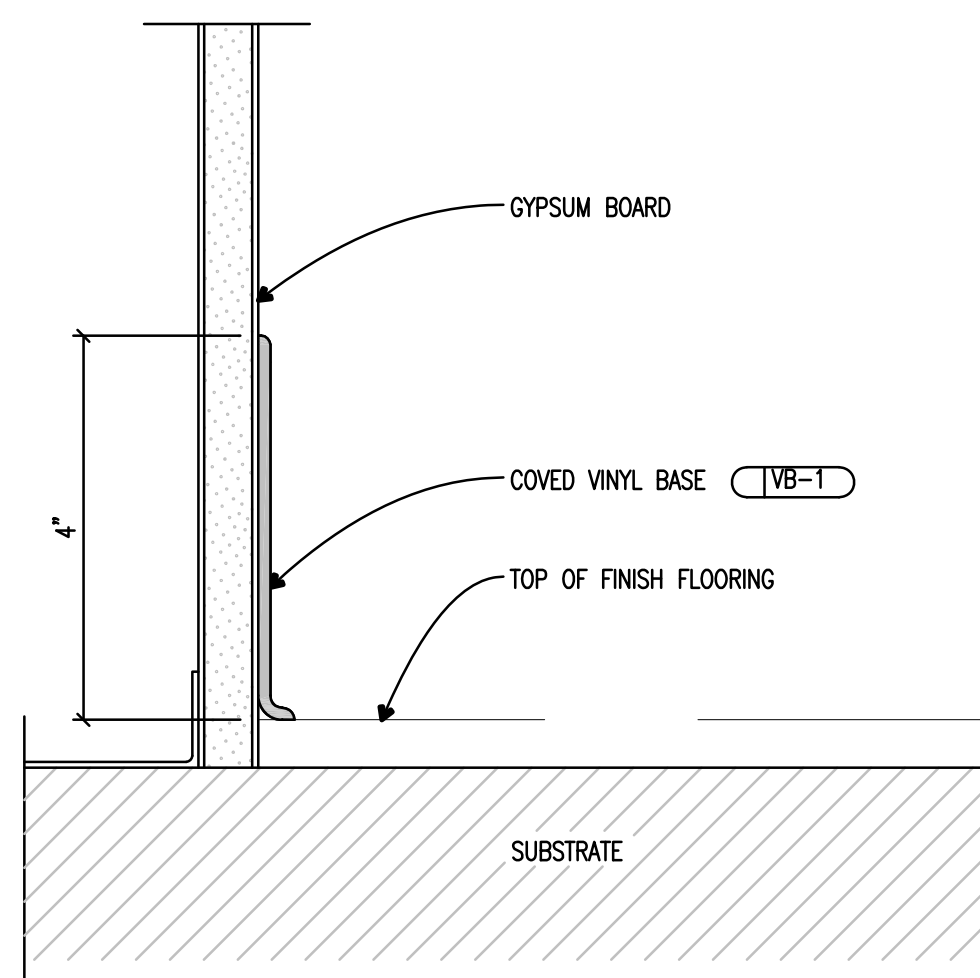
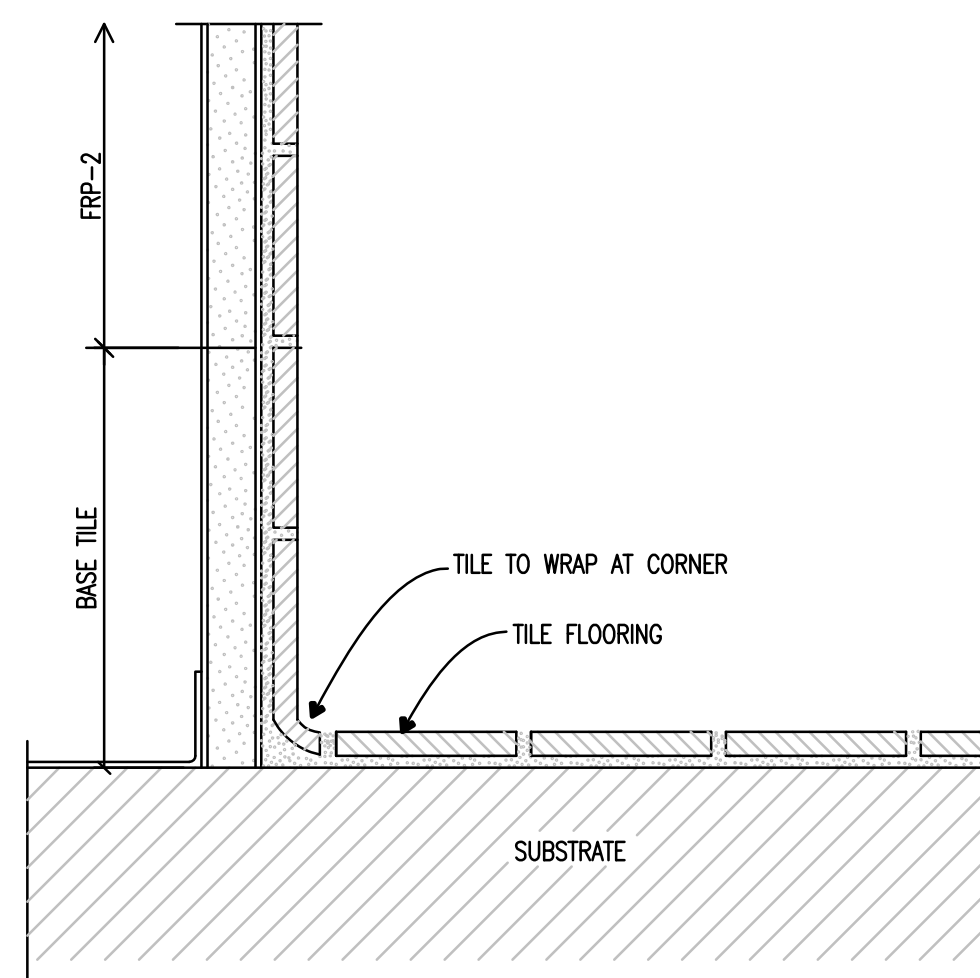


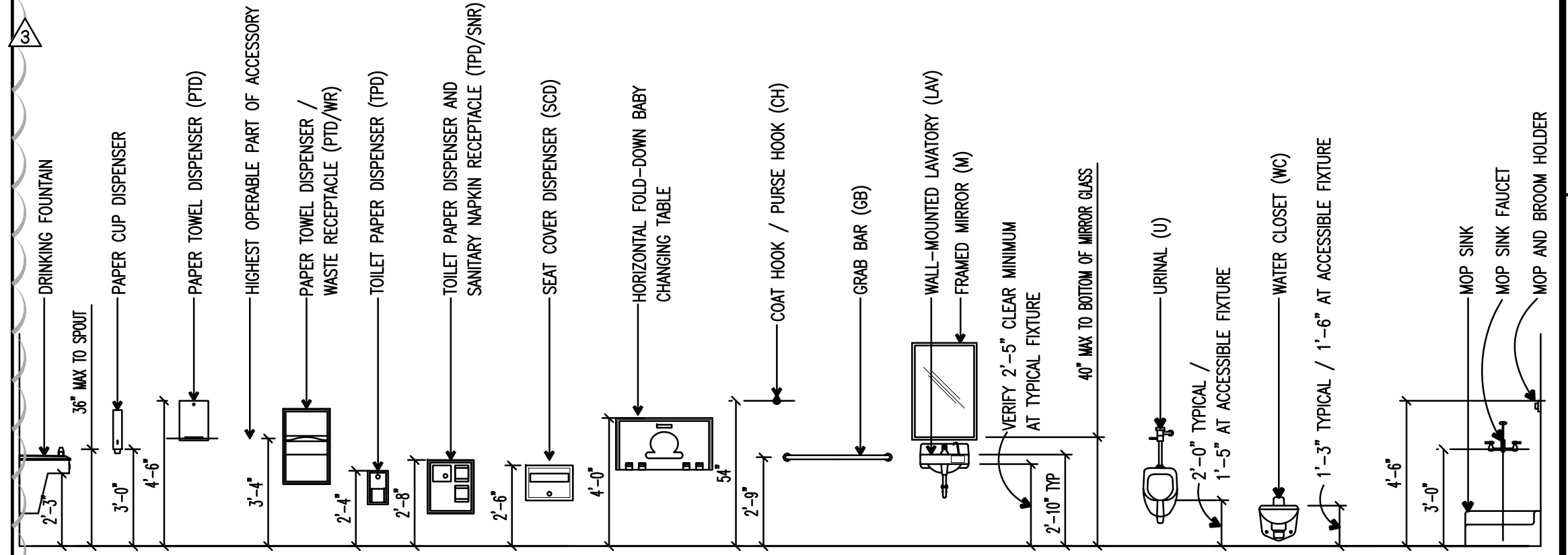
E1 STRAIGHT VINYL BASE
6'-1'-0"



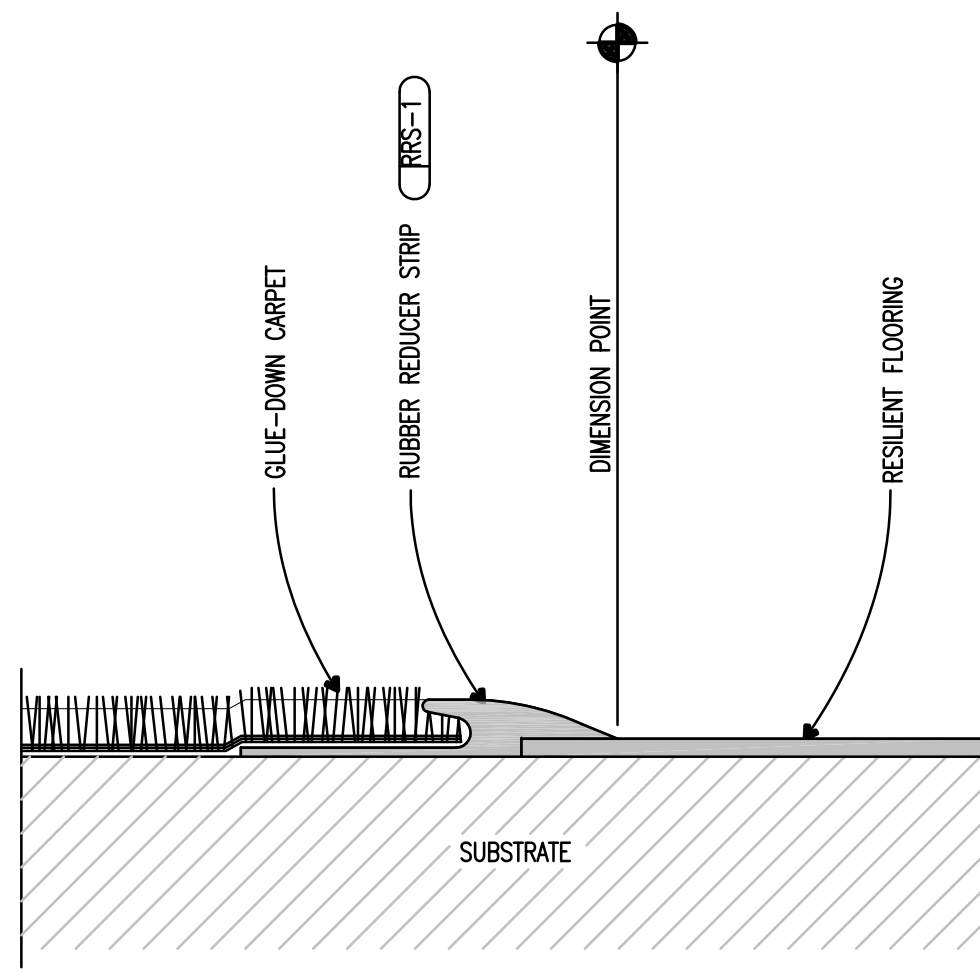
E3 COVERED VINYL BASE
6'-1'-0"



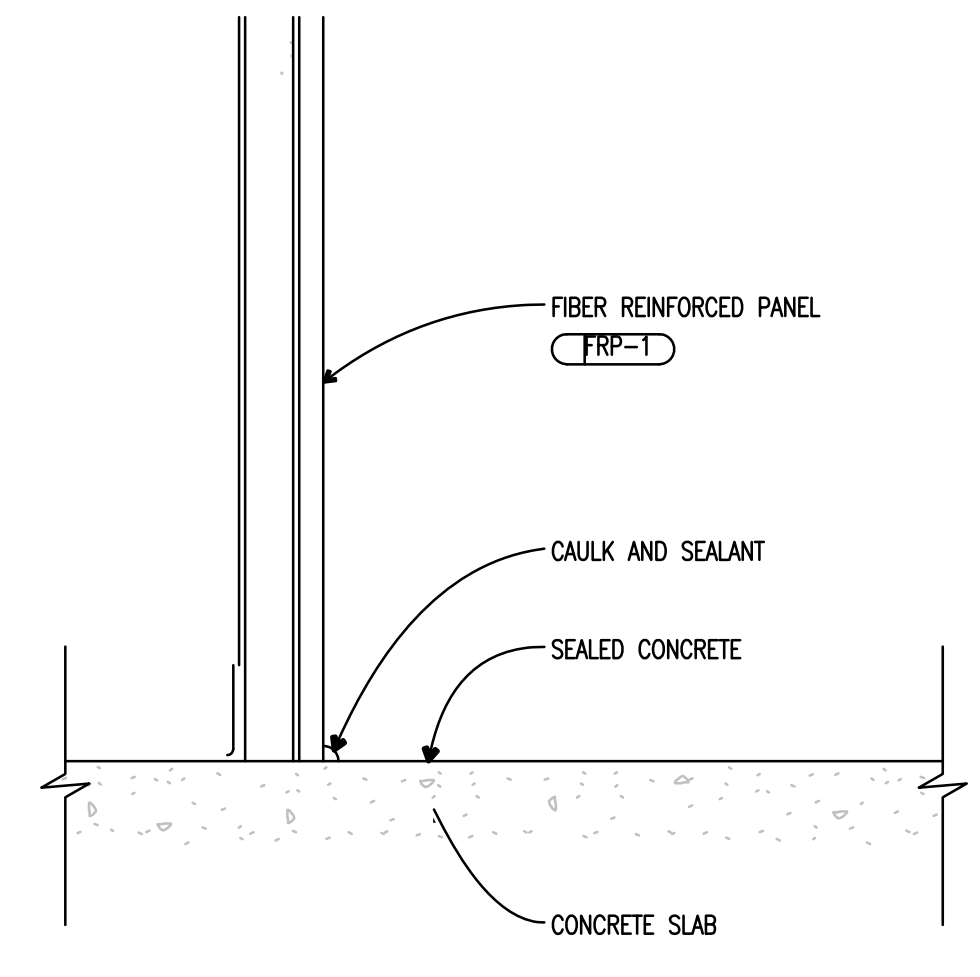
E5 TILE BASE AND FRP-2
6'-1'-0"



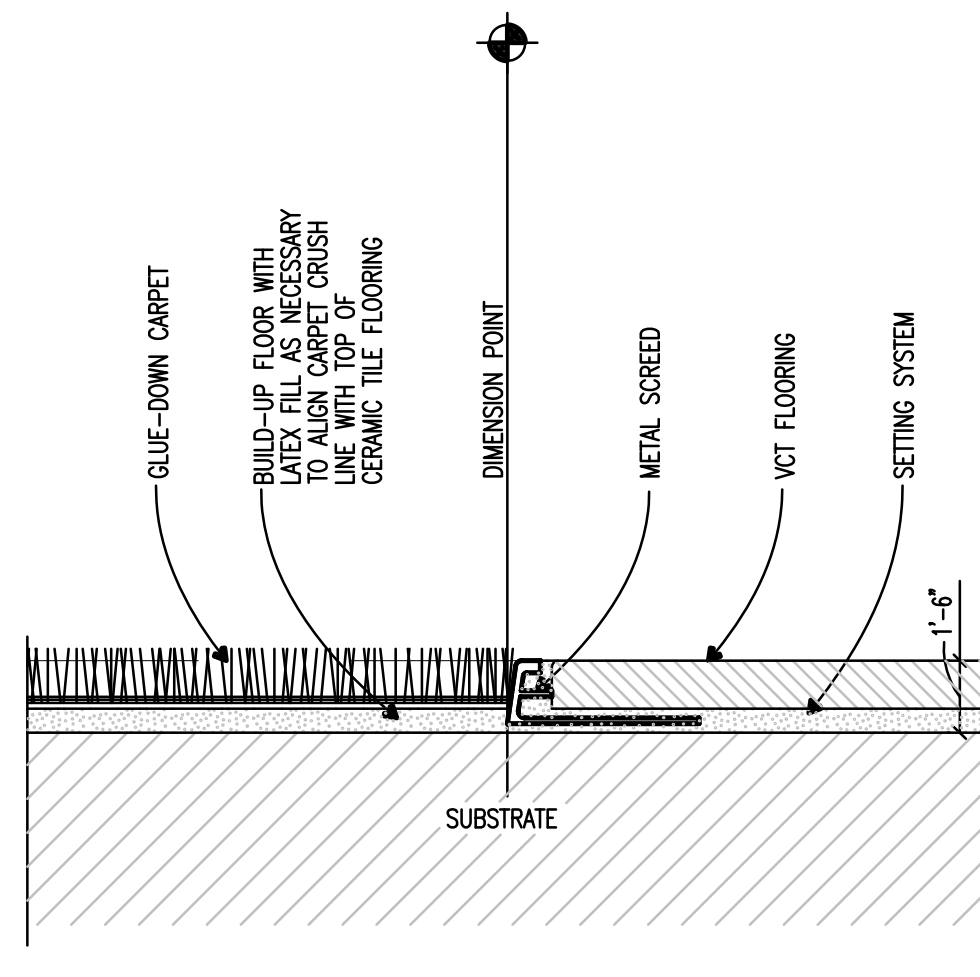
E7 MOUNTING HEIGHTS FOR TOILET ACCESSORIES & PLUMBING FIXTURES
NO SCALE



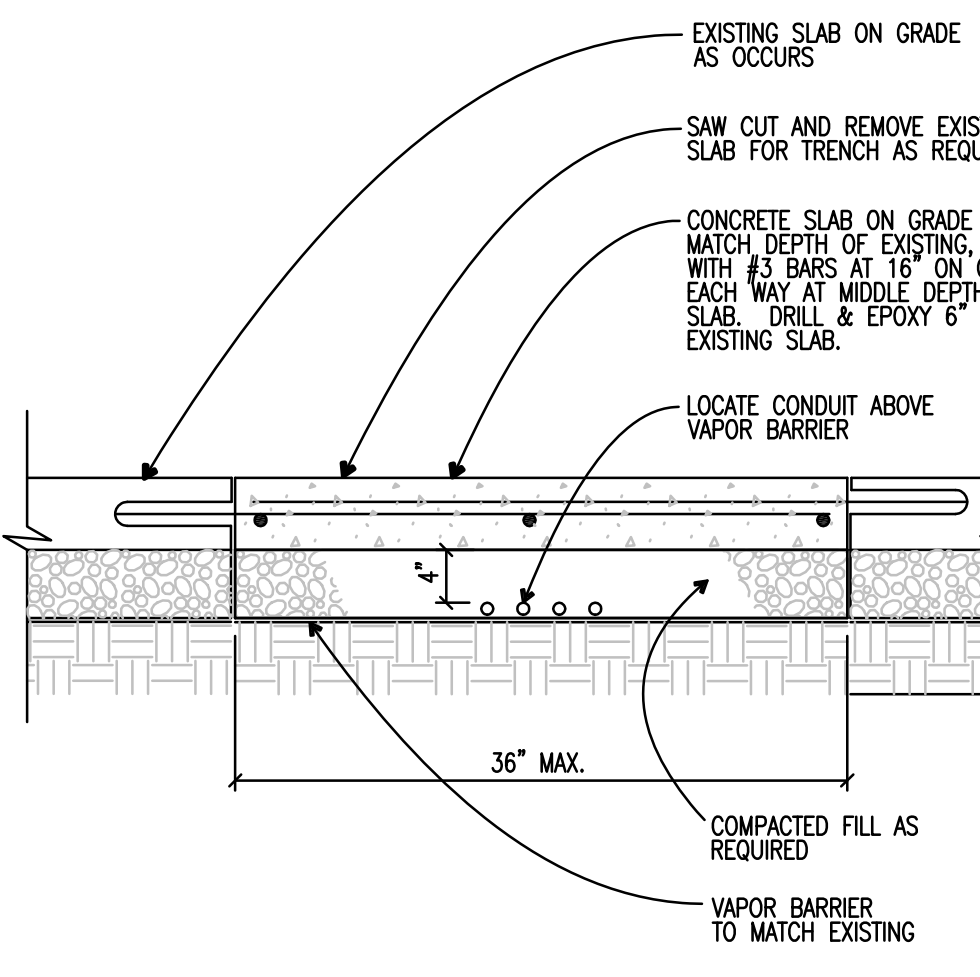
C1 GLUE-DOWN CARPET TO VCT/RESILIENT FLOORING
FULL SCALE



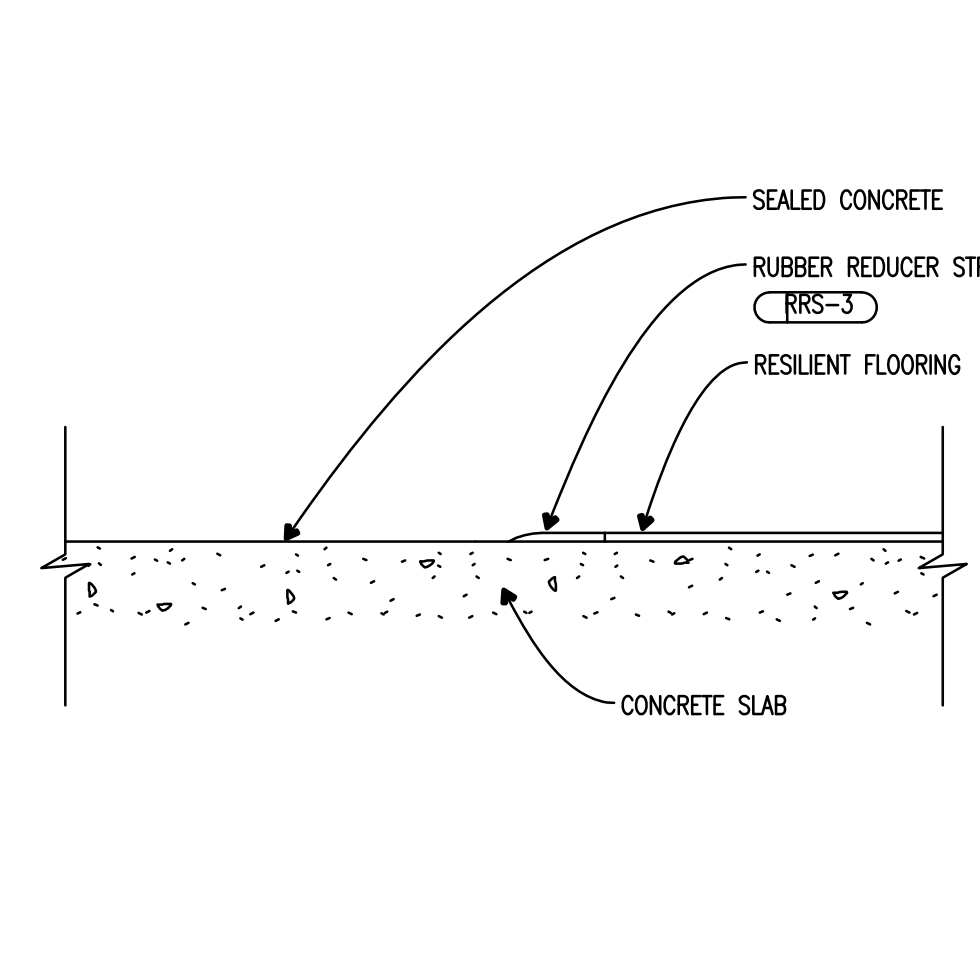
C5 GLUE-DOWN CARPET TO VCT FLOORING
FULL SCALE



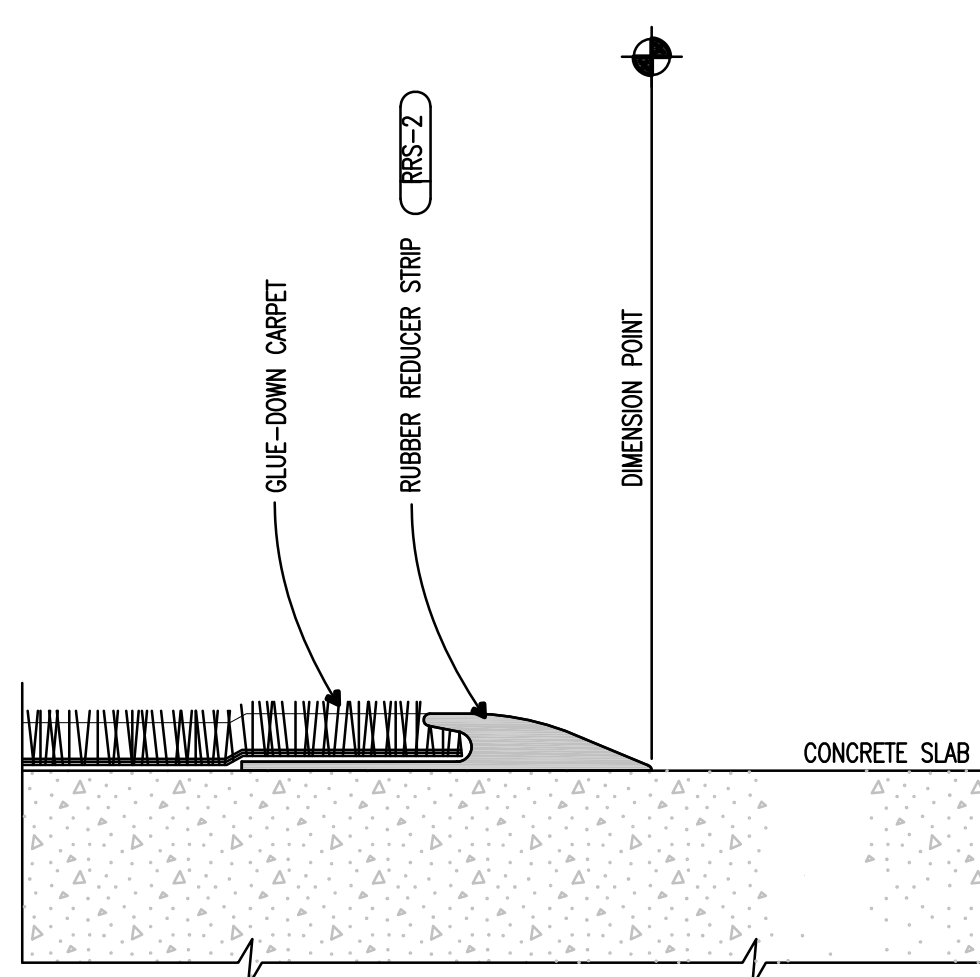
C7 TYPICAL RESTROOM ELEVATIONS
1/4"=1'-0" NOTE: FOR TYPICAL MOUNTING HEIGHTS AND EQUIPMENT ABBREVIATIONS SEE E8/A-804



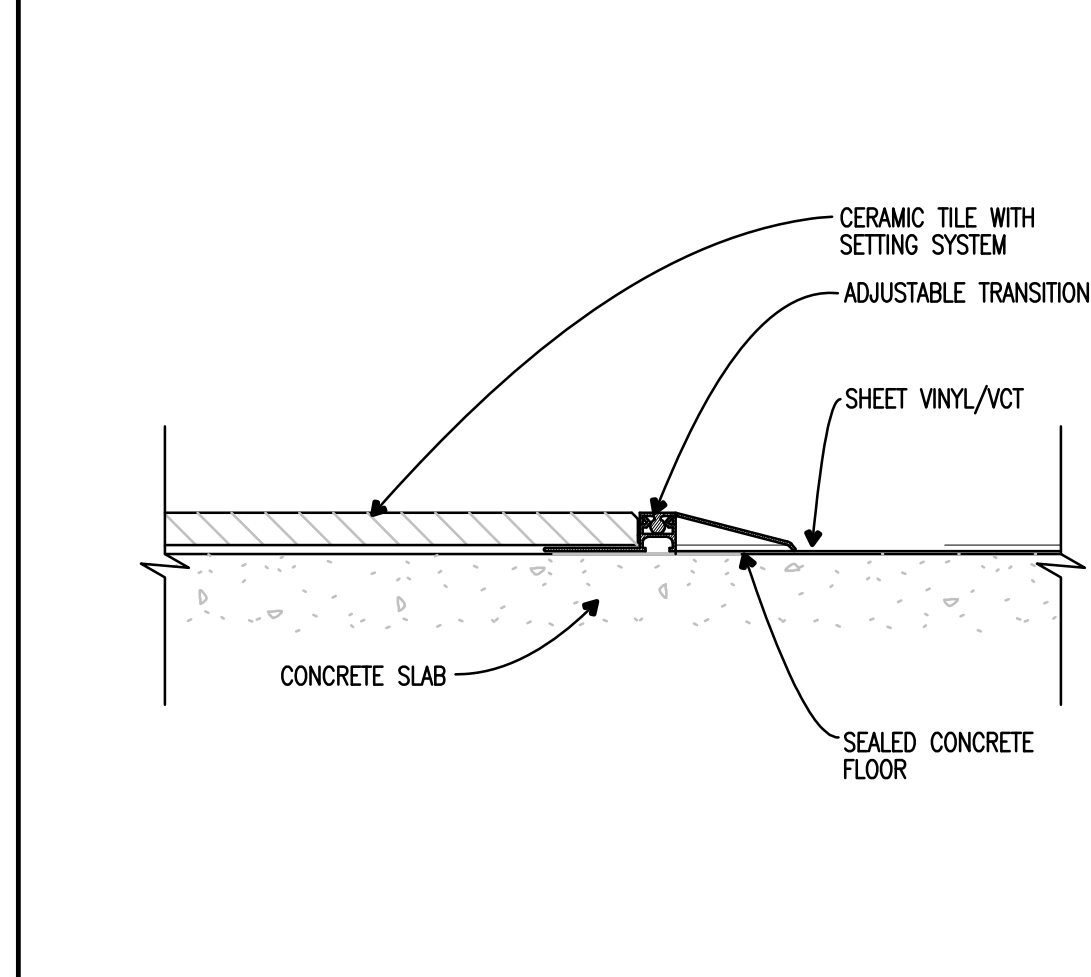
A1 SLAB DOWELING AT TRENCH
NOT TO SCALE



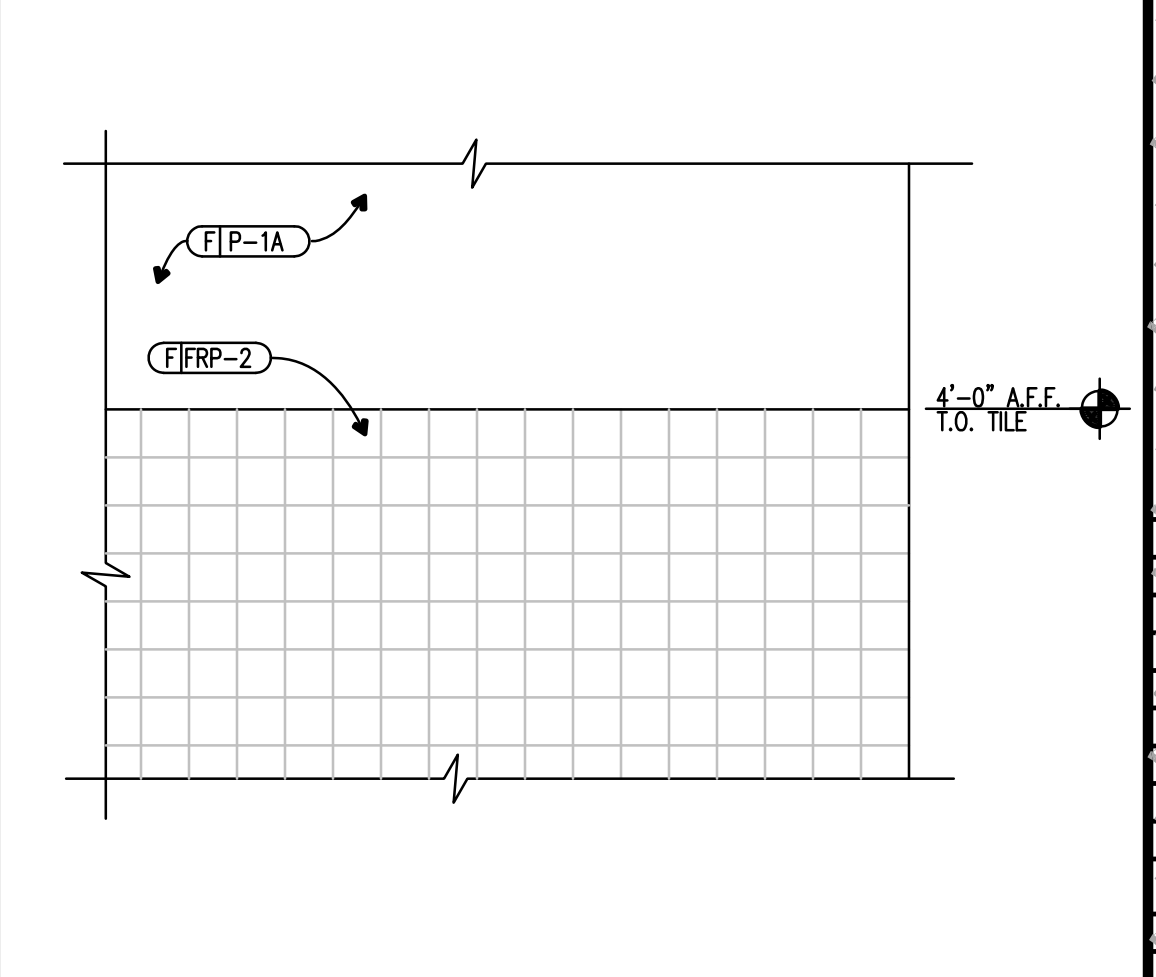
A3 VCT FLOORING TO SEALED CONCRETE
6'-1'-0"



A5 GLUE-DOWN CARPET TO CONCRETE
FULL SCALE



A7 CERAMIC TILE TO CONCRETE/SHEET VINYL/VCT
6'-1'-0"



A9 TILE DETAIL
1 1/2"=1'-0"

ISSUED / REVISED	DATE
31D/PERMIT ISSUE	04-01-08
REVISION 1	06-18-08
REVISION 2	08-04-08
REVISION 3	11-04-08

TYPE OF DRAWING SET
REVISION 3 ISSUE

Interior
Details