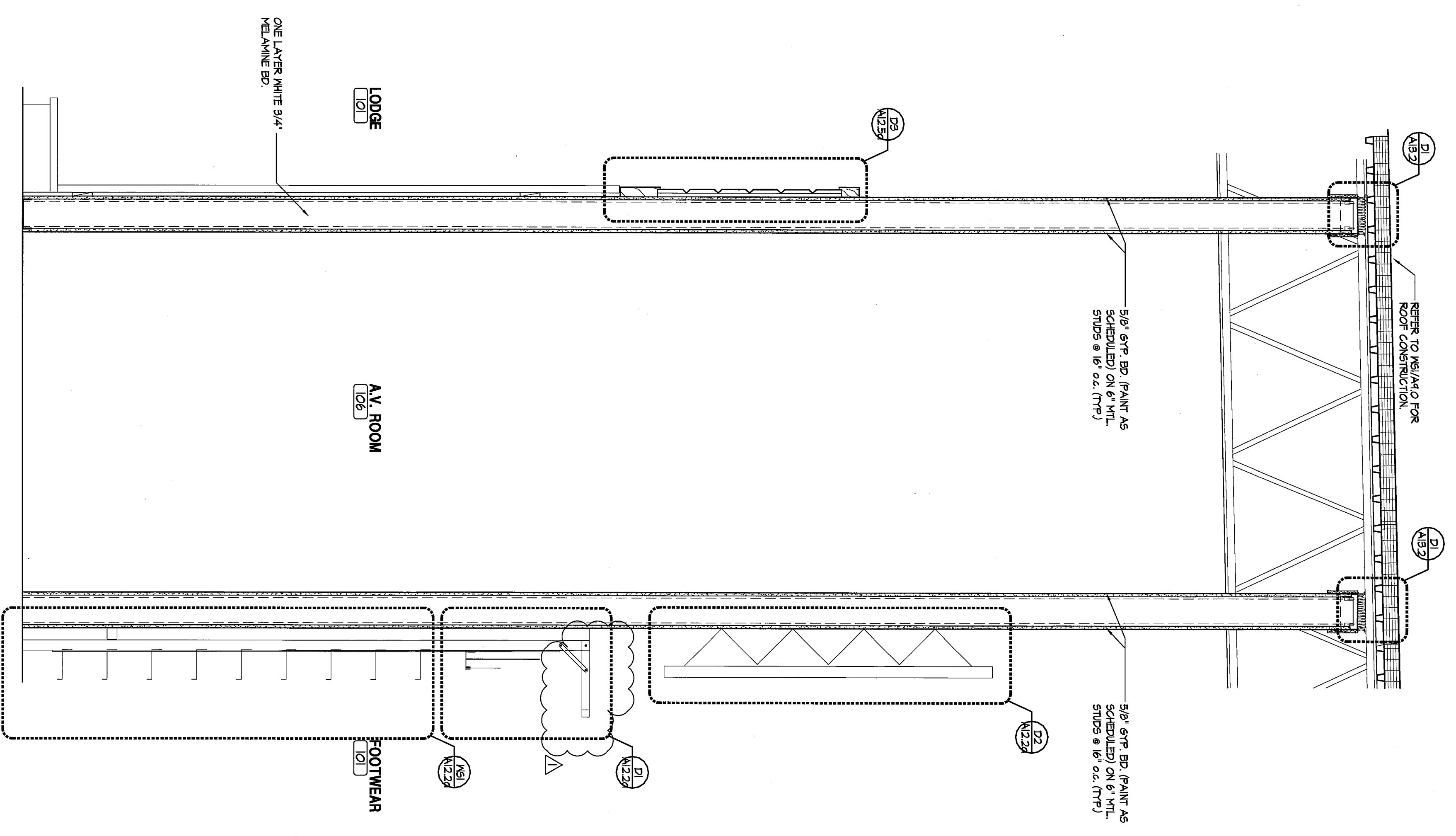
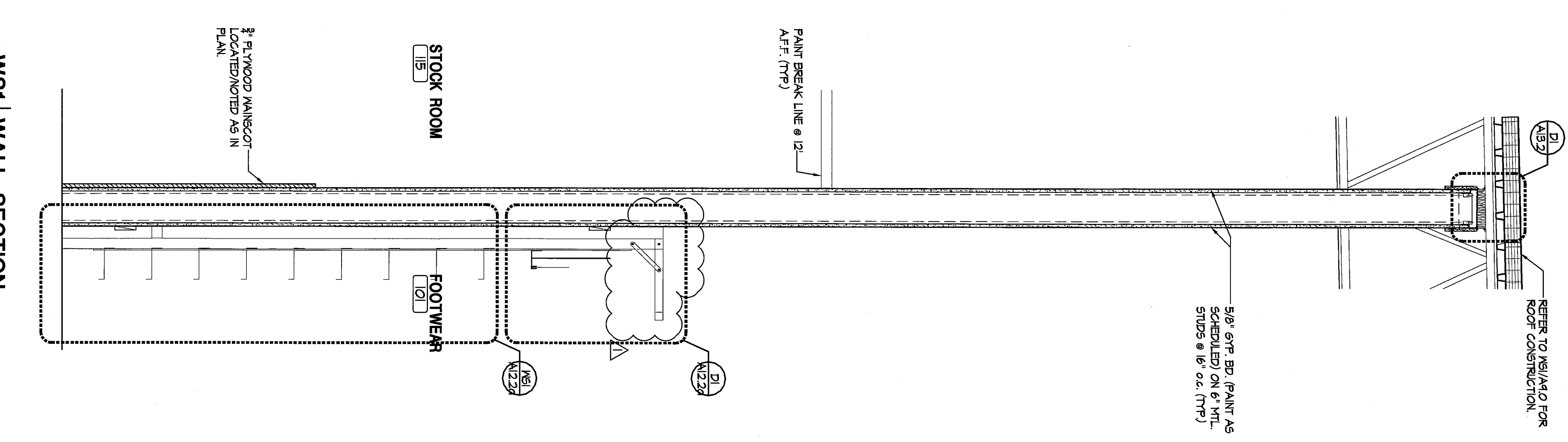


WS3 | DOOR & ARCHERY WALL SECTION
SCALE 3/4" = 1'-0"



WS2 | A.V. ROOM WALL SECTION
SCALE 3/4" = 1'-0"



WS1 | STOCK ROOM WALL SECTION
SCALE 3/4" = 1'-0"

NOTE: REFER TO INTERIOR ELEVATIONS FOR ANY ADDITIONAL FINISHES REQUIRED. (TYP.)

REV.	DATE	CONSTRUCTION DOCUMENTS
05-01-08		
06-06-08	BULLETTIN	

CANTON MARKETPLACE
CANTON, GA

DICK'S
SPORTING GOODS STORE #301

Maxwell Johanson Maher
architects
105 Broadway Ave. 4th Floor
Nashville, Tennessee 37201
www.mjmach.com
phone 615-244-8170
fax 615-244-8141
mjm@mjmarch.com